

WARNING

AVOID INJURY OR DEATH

- Hot surfaces can cause serious injury. Allow to cool before servicing.
- Keep cover closed except for service.
- Keep engine clean of flammable material.
- Keep body, loose objects and clothing away from electrical contacts, moving parts, hot parts and exhaust.
- Do not use loader in space with explosive dusts or gases or with flammable material near exhaust.
- All exhaust gases can kill. Always ventilate.
- Never use ether or starting fluid on diesel engine with glow plugs. Use only starting aids as approved by engine manufacturer.
- Leaking fluids under pressure can enter skin and cause serious injury. Immediate medical attention is required. Wear goggles. Use cardboard to check for leaks.
- Battery acid causes severe burns. Wear goggles. If acid contacts eyes, skin or clothing, flush well with water. For contact with eyes flush and get medical attention.
- Battery makes flammable and explosive gas. Keep arcs, sparks, flames and lighted tobacco away.
- For jump start, connect negative cable to the loader engine last (never at the battery). After jump start, remove negative connection at the engine first.

MINI TRACK LOADER SERVICE SCHEDULE

EVERY 10 HOURS (BEFORE STARTING THE LOADER)

- **ENGINE OIL** – Check level and add as needed. Do not overfill.
- **ENGINE AIR FILTER** – Check cleaner condition indicator. Service only when required.
- **ENGINE AIR SYSTEM** – Check for leaks and damaged components.
- **ENGINE COOLING SYSTEM** – Open hood. Clean debris from oil cooler and radiator areas. Check coolant level cold, add 53% propylene glycol premixed with 47% water as needed.
- **FUEL FILTER** – Remove trapped water.
- **HYDRAULIC FLUID** - Check level at site gauge and add as needed. Do not overfill.
- **LOADER LIFT ARMS, CYLINDERS, BOBTACH PIVOT PINS AND WEDGES, AND UNDERCARRIAGE ROLLERS AND IDLERS** – Lubricate with multipurpose lithium based grease.
- **REVERSE STOP PANEL, NEUTRAL START INTERLOCKS, AND LIFT/TILT LOCKOUTS** – Check function. Clean dirt or debris from moving parts. Refer to Operation and Maintenance Manual.
- **PARKING BRAKE** – Check for function. Clean or repair as needed.
- **GENERAL** – Clean dirt and debris from rear door area. Check for loose or broken parts, instrument operation, loose bolts or nuts, oil leaks, and damaged or missing safety signs. Repair or replace as needed.
- **CONTINUOUS FLOW SHUTOFF LEVER** – Check function. Refer to Operation and Maintenance Manual.

EVERY 50 HOURS

- **HYDRAULIC FLUID, HOSES, AND TUBELINES** – Check the fluid level. Check for damaged components and for leaks. Repair or replace as needed.
- **CONTROLS** – Check for correct operation. Adjust, repair or replace as needed.
- **UNDERCARRIAGE** – Check for loose bolts and nuts.
- **TRACK TENSION** – Check, adjust if needed per Operation and Maintenance Manual.

EVERY 100 HOURS

- **BATTERY** – Check battery for damage. Check hold downs, cables, connections and electrolyte level. Add distilled water as needed.
- **ENGINE WATER PUMP/ALTERNATOR/FAN DRIVE BELT** – Check and adjust or replace as required.
- **ENGINE OIL AND FILTER** – Drain oil and replace filter. Wait until engine is cool before replacing oil filter. Note: first oil & filter change at 50 hours.
- **SPARK ARRESTOR MUFFLER** - Empty spark chamber.

EVERY 250 HOURS

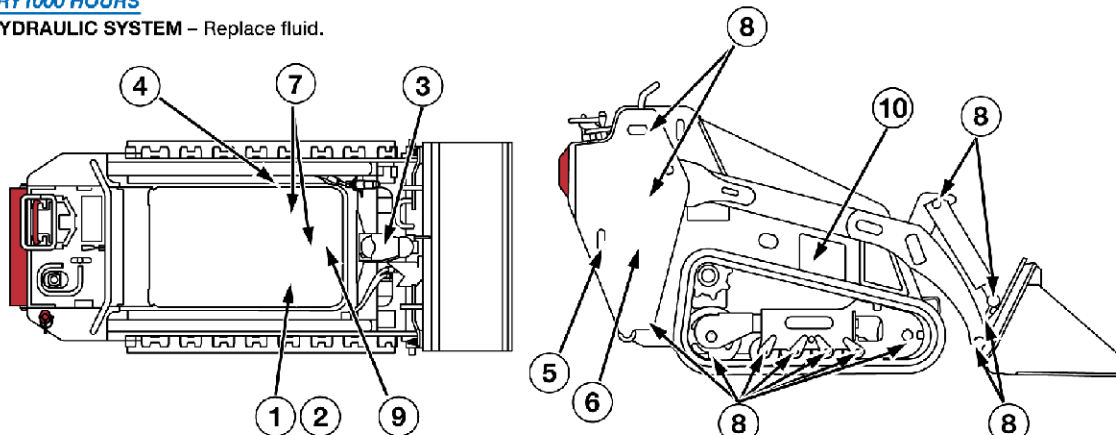
- **FUEL FILTER** – Replace filter element.
- **LIFTARM LOCKOUT** – Check function of manual bypass control.

EVERY 500 HOURS

- **HYDRAULIC SYSTEM** – Replace hydraulic filter. Replace reservoir breather cap.
- **HYDROSTATIC DRIVE BELT**- Check and adjust or replace as required.

EVERY 1000 HOURS

- **HYDRAULIC SYSTEM** – Replace fluid.



See Operation & Maintenance Manual for more information and instructions. Weitere Anweisungen finden sie in der Bedienungs- und Instandhaltungsanleitung. Para más instrucciones, vea el Manual de Operación y Mantenimiento. Voir le Manuel de l'opérateur et d'entretien pour d'autres renseignements.

SERVICE PARTS CHART

Ref. No.	Symbol	Description	Part Number	Replacement Interval
1.		Primary Air Filter		AS REQ.
2.		Secondary Air Filter		AS REQ.
3.		Engine Oil	■	100 (R)
4.		Engine Oil Filter		100 (R)
5.		Hydraulic Oil	■	1000
6.		Hydraulic Oil Filter		250*
7.		Coolant		2 yrs.
8.		Multi-Purpose Lithium Grease	▲	---
9.		Diesel Fuel	■	---
10.		Fuel Filter		250

- ◆ Do not use compressed air to clean elements.
- ▲ See Your Local Bobcat Dealer.
- See Operation & Maintenance Manual For More Information.
- ⊠ First oil & Filter change at 50 hours.



Use Genuine Bobcat® Replacement Parts

IMPORTANT

THIS MACHINE IS FACTORY EQUIPPED WITH A U.S.D.A. FORESTRY SERVICE APPROVED SPARK ARRESTOR MUFFLER. THE SPARK ARRESTOR MUFFLER MUST BE CLEANED TO KEEP IT IN WORKING CONDITION. THE SPARK ARRESTOR MUFFLER MUST BE SERVICED BY DUMPING THE SPARK CHAMBER EVERY 100 HRS OF OPERATION.

IF THIS MACHINE IS OPERATED ON FLAMMABLE FOREST, BRUSH, OR GRASS COVERED LAND, IT MUST BE EQUIPPED WITH A SPARK ARRESTOR ATTACHED TO THE EXHAUST SYSTEM AND MAINTAINED IN WORKING ORDER. FAILURE TO DO SO WILL BE IN VIOLATION OF CALIFORNIA STATE LAW, SECTION 4442. PRC. REFER TO LOCAL LAWS AND REGULATIONS FOR SPARK ARRESTOR REQUIREMENTS.

SEE THE OPERATION AND MAINTENANCE MANUAL FOR MORE INSTRUCTIONS.

7108578A